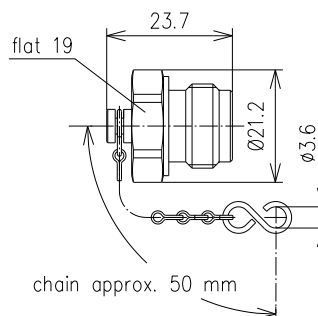


Protective cap for N or UHF plug | BN 998800



All dimensions in millimeter

Suitable Interface type	N plug (50 Ω) per IEC 61169-16 UHF plug (50 Ω) per IEC 60169-12	
Cap material / surface finish	copper alloy / nickel plated	
Other metal parts / surface finish	copper alloy / nickel plated	
IP protection level	N UHF	IP68 per EN 60529 (interface connected with appropriate gasket) IP40 per EN 60529
Weight, approx.	30 g	

SPINNER GmbH  
 This document is proprietary to us.  
 All rights reserved. Any use, transfer, or reproduction of this document  
 or the know-how contained therein requires our express consent.