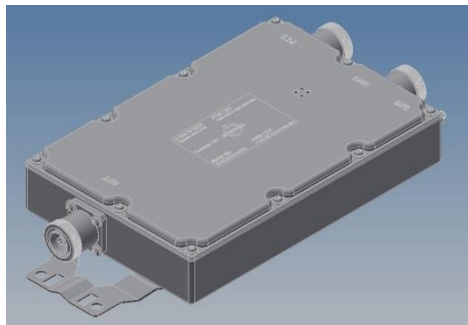
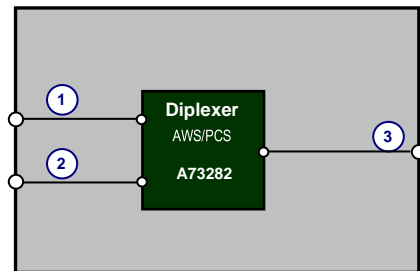


Diplexer AWS / PCS with DC-All ports



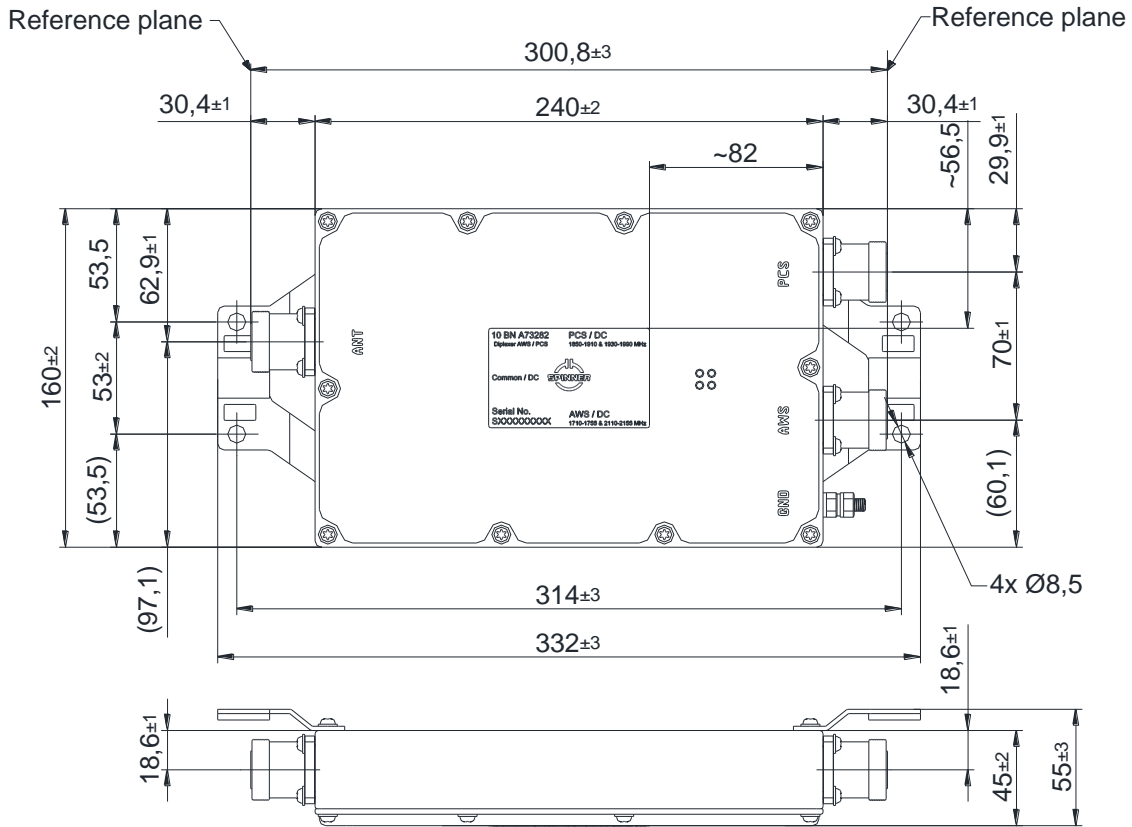
not binding



block diagram

Part number		BN A73282
Connectors		7-16 socket (50 Ohms)
Frequency range	Port 1 Port 2	1710 - 1755 & 2110 - 2155 MHz (AWS) 1850 - 1990 MHz (PCS)
Insertion loss		≤ 0.3 dB (0.2 dB typ.)
Isolation		50 dB min.
VSWR		≤ 1.25
IM – value 3rd order @ 2 x 20 W		≤ -150 dBc typical: ≤ -160 dBc
Power rating	Port 1 Port 2	250 W CW 250 W CW
DC by-pass	All Ports	max. 1A per input max. 60 V DC (AISG Standard, 2.0, § 6.4)
Degree of protection		IP 67 (outdoor use)
Environmental conditions		ETSI EN 300019-1-1 Class 1.2 ETSI EN 300019-1-2 Class 2.3 ETSI EN 300019-1-4 Class 4.1E
Lightning protection		±5 kA, 8/20µs, M6 earth stud fitted
Temperature range		-45 °C – +70°C
Weight		2.0 kg
Size		332 x 160 x 55 mm max. single unit with bracket
Wall/ Mast mounting		Part of delivery

Dimensions:



Standard:

7-16 female (50 ohms): CECC 22190, IEC 61169-4

modifications reserved