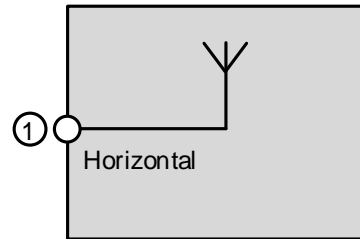


### Thin H-Pol Omni antenna, 694MHz-4000MHz



not binding



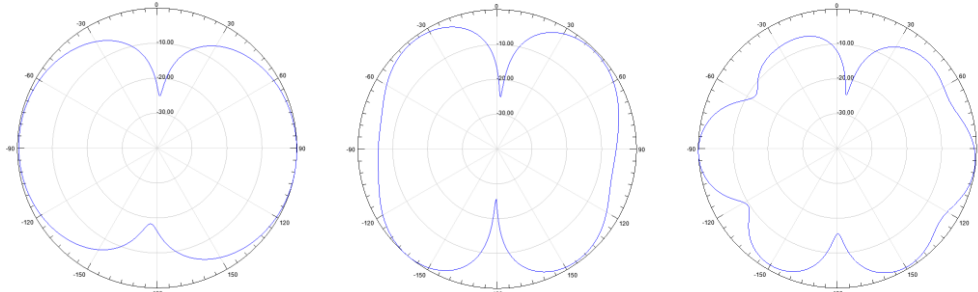
block diagram

Part number	BN A77143C0001				
Connector	4.3-10 female (50 Ω)				
Frequency range, [MHz]	694-806	806-960	1350-1710	1710-2700	3400-4000
Gain, [dBi]	2.2±0.5	3.5±0.5	4.0±1.0	4.5±1.0	6.0±1.0
Polarization	Horizontal				
Beam width	Horizontal, [deg]	360			
	Vertical, [deg]	90-260	50-200		30-80
VSWR	≤1.5	≤1.5	≤1.8	≤1.5	≤1.5
Intermodulation (IM3) @ 2x 20 W, [dBc]	≤ -153				
Input power, [W]	max. 50				
Degree of protection	Indoor / IP54				
Weight, without Mounting Kit,	Approx. 270 g				
Radome Material and Color	ABS, White, RAL9003				
Temperature range, [°C]	-55 – +60				
Dimensions, [mm]	Ø220 x 18				
Operational Humidity	<95%				
RoHS	Compliant				
Flammability rating	UL 94-V0				
Fire load, [kWh]	2.07				
Installation instructions	M36535				
Mounting Kit	Ceiling <sup>1)</sup> , via hole(standard)				

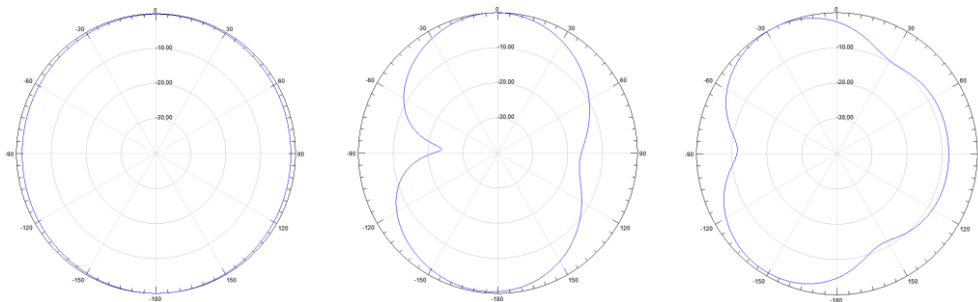
<sup>1)</sup> The installation of thin antennas is not recommended for metal ceilings.

**Radiation pattern:**

**Horizontal pattern**



**Vertical pattern**

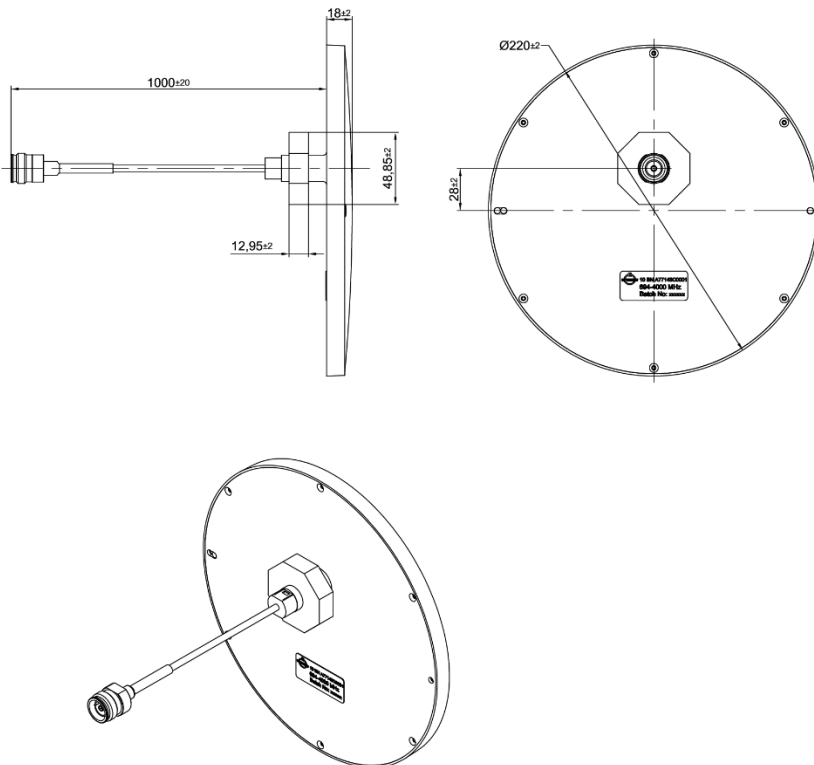


698-960MHz

1710-2170MHz

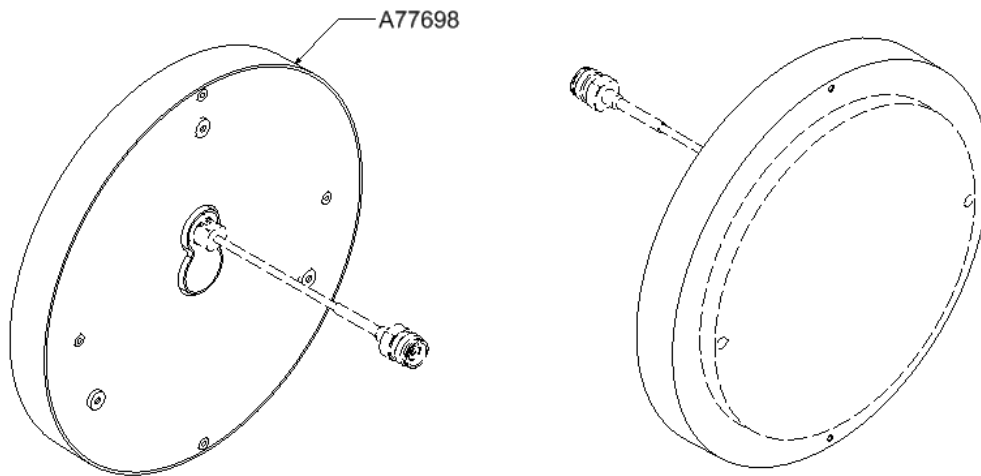
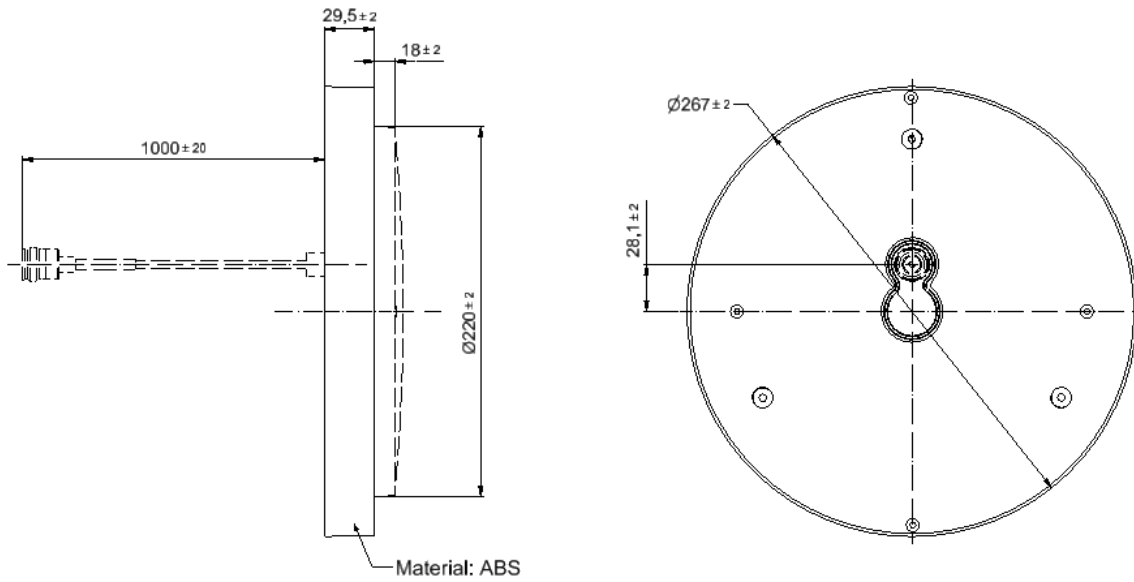
2170-2700MHz

**Dimensions and mounting:**



**Standard:**  
4.3-10 female (50 ohms): IEC 61169-54

**Absorbing/Mounting accessory BN A77698 (optional)**



Subject to change without notice