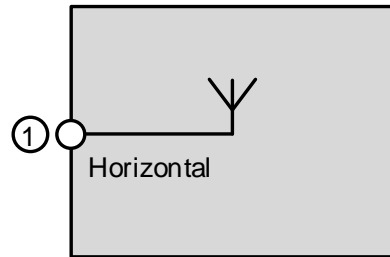


Thin H-Pol Omni Chip antenna, 617MHz-6000MHz



not binding



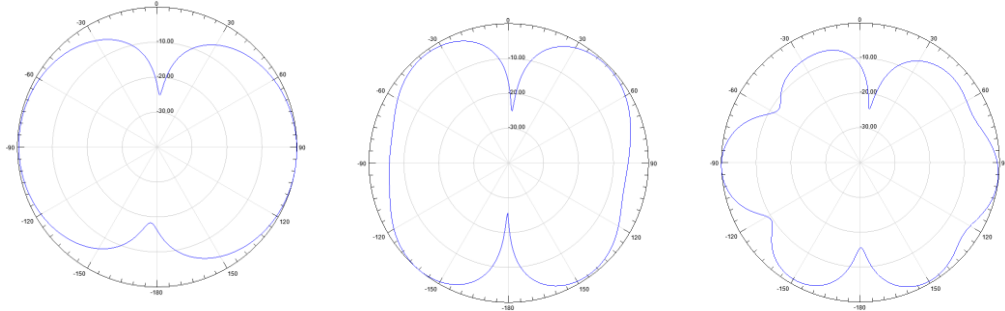
block diagram

Part number	BN A77146C0003					
Connector	N female (50 Ω)					
Frequency range, [MHz]	617-806	806-960	1350-1550	1690-2700	3300-3800	4900-6000
Gain, [dBi]	1.5±0.5	2.2±0.5	3.5±0.5	4.5±1.0	6.0±1.0	6.0±1.0
Polarization	Horizontal					
Beam width	Horizontal, [deg]	360				
	Vertical, [deg]	70-230	55-150		45-105	
VSWR	≤1.8					
Intermodulation (IM3) @ 2x 20 W, [dBc]	≤ -153					
Input power, [W]	max. 50					
Degree of protection	Indoor / IP54					
Weight, [kg]	0.3					
Radome Material and Color	ABS, White, RAL9003					
Temperature range, [°C]	-55 – +60					
Dimensions, [mm]	Ø220 x 18					
Operational Humidity	<95%					
RoHS	Compliant					
Flammability rating	UL 94-V0					
Mounting Kit	Ceiling ¹⁾ , via hole(standard)					

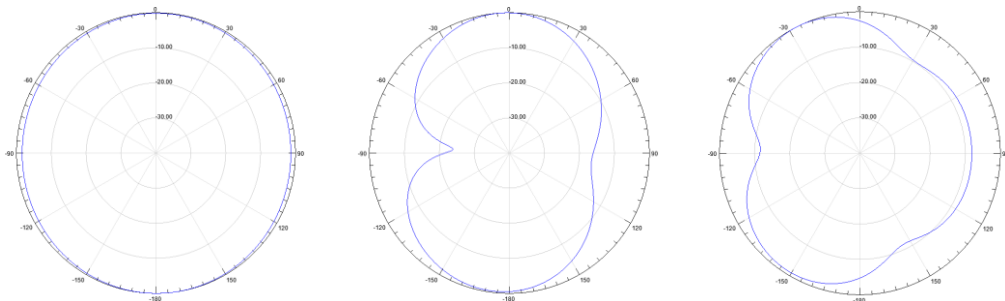
¹⁾ The installation of Thin Chip antennas is not recommended for metal ceilings.

Radiation pattern:

Horizontal pattern



Vertical pattern

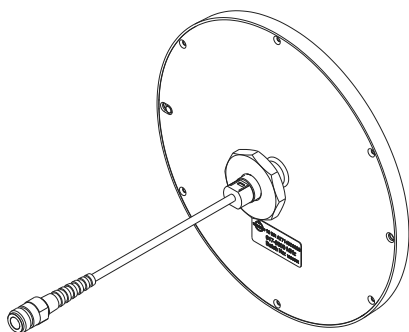
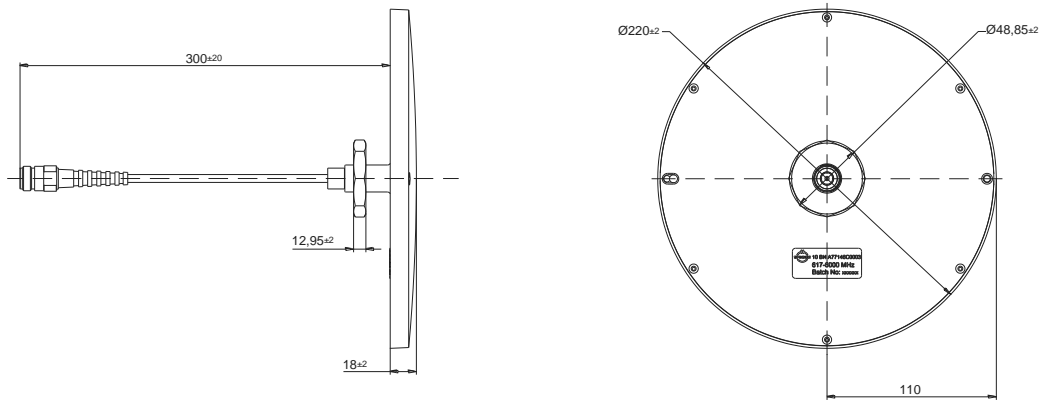


900MHz

1710MHz

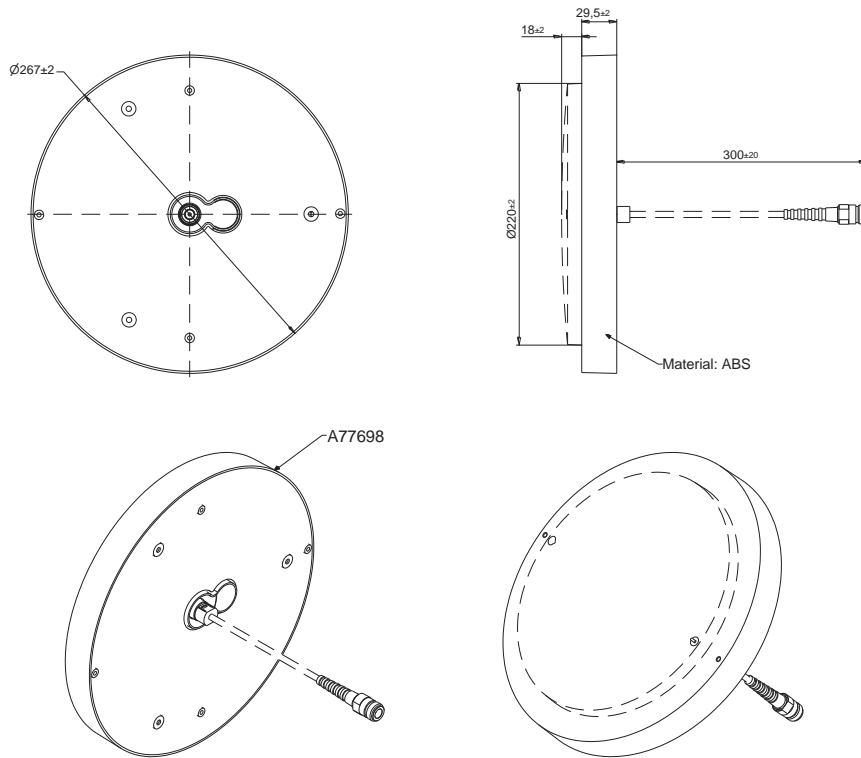
2500MHz

Dimensions and mounting:



Standard:
N female (50 ohms): CECC 22210, IEC 61169-16

Absorbing/Mounting accessory BN A77698 (optional)



Subject to change without notice