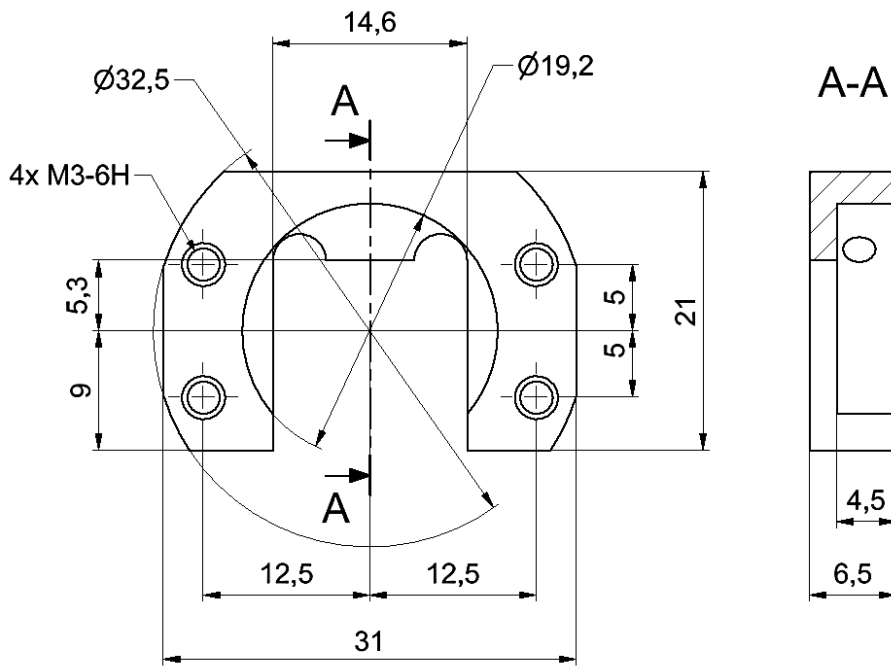


Panel fixture for PCB waveguide connector || BN B25702



all dimensions in millimeter

General mechanical data

material / surface finish	aluminum / chromated
weight	6 g