

## Rigid Line Components 52-120 SMS

- Outer conductor system aluminium/aluminium alloy
- Quick and simple assembly
- No special tools required
- PTFE insulation
- For indoor application

### Components

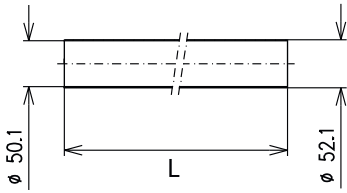
	Length	Weight	Part Number
Inner conductor tube (copper)	L = 2 m	2.90 kg	<b>BN A02424</b>
	L = 4 m	5.80 kg	<b>BN K24058C0004</b>
Outer conductor tube (aluminium)	L = 2 m	3.20 kg	<b>BN A02426</b>
	L = 4 m	6.40 kg	<b>BN K20206C0004</b>
Inner support		1.78 kg	<b>BN 542705</b>
Adapter SMS clamp to 4 1/2" EIA (339 IEC 50-105)		6.94 kg	<b>BN 542720</b>
Coupling element for 4 1/2" EIA (339 IEC 50-105) incl. screw set		1.07 kg	<b>BN 822810</b>
Adapter SMS clamp to 6 1/8" EIA		9.50 kg	<b>BN 542701</b>
Coupling element for 6 1/8" EIA incl. screw set		2.12 kg	<b>BN 919310</b>
Adapter SMS clamp to 52-120 BT		0.90 kg	<b>BN 542726</b>
Coupling element 52-120 BT incl. screw set		1.31 kg	<b>BN 528101</b>
Rigid line splice		3.34 kg	<b>BN 542704</b>
90° Elbow		5.22 kg	<b>BN 542702</b>

### Electrical Data

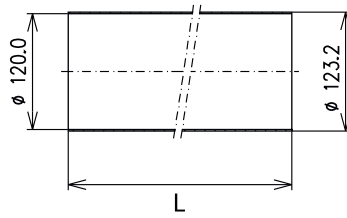
Impedance		50 Ω
Cut off frequency for H11-Mode		1.0 GHz
Proof voltage at sea level (NN)		22.0 kV
Frequency range		$0 \leq f \leq 890$ MHz
Average power at +40 °C ambient temperature	100 MHz 230 MHz 860 MHz	$\leq 140.0$ kW $\leq 92.0$ kW $\leq 47.0$ kW ( $\leq 57.0$ kW) <sup>1</sup>
Attenuation at +20 °C ambient temperature (dB/100m)	100 MHz 230 MHz 860 MHz	0.24 0.36 0.69
Installation instruction		M 36127

<sup>1</sup> In this case it is necessary to paint the rigid line with a black, heat resistant varnish

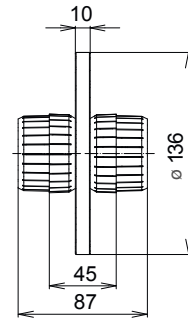
## Rigid Line Components 52-120 SMS



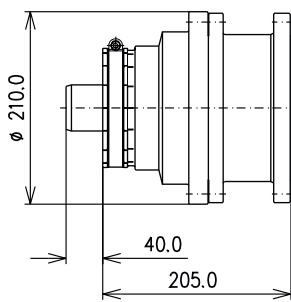
Inner conductor tube  
BN A02424; BN K24058



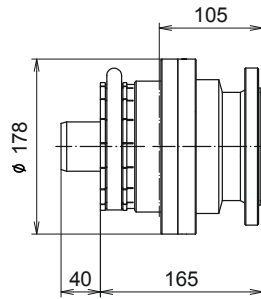
Outer conductor tube (not painted)  
BN A02426; BN K20206



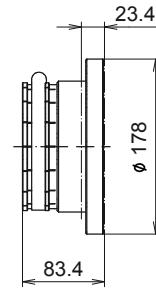
Coupling element 52-120 BT incl. screw set  
BN 528101



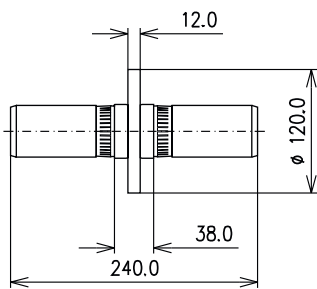
Adapter SMS clamp to 6 1/8" EIA  
BN 542701



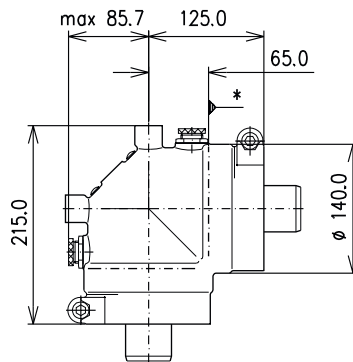
Adapter SMS clamp to 4 1/2" EIA<sup>1</sup>  
BN 542720



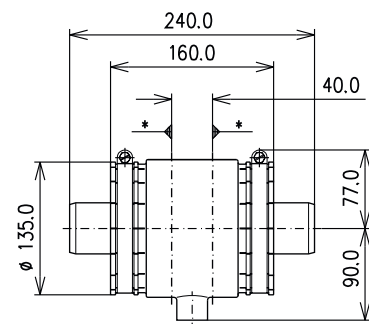
Adapter SMS clamp to 52-120 BT  
BN 542726



Inner support  
BN 542705



90° Elbow with adjustment screws  
BN 542702



Rigid line splice  
BN 542704

Length of rigid line L	Number inner supports required
3.0 m ≤ L ≤ 4.0 m	1

<sup>1</sup> 339 IEC 50-105

\* Reference plane