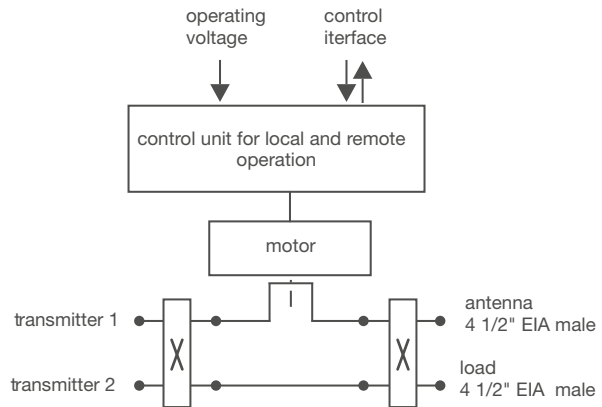


UHF 30 kW Switchless Combiner

- Hot switching
- Simple remote control of all functions
- Feedback of operation mode and interlock signals
- Suitable for analogue and digital TV
- For 6, 7 and 8 MHz channel bandwidth
- Tuneable within the whole UHF range
- CCS compact design



Part Number	BN 536574
Frequency range	470 - 860 MHz
Input power	≤ 15 kW per input
Proof voltage	16 kV
Insertion loss	≤ 0.15 dB
Isolation between inputs	≥ 35 dB
VSWR	≤ 1.1
Operation modes	TX1+TX2 to antenna TX1 to antenna and TX2 to load TX2 to antenna and TX1 to load TX1+TX2 to load
Switching time	10 - 20 s
Operation control	Local via front panel or remote by control signals
RF input	3 1/8" EIA male
RF output	4 1/2" EIA male 339 IEC 50-105
Remote control interface	DC-37-D-sub or terminal block
Operating voltage interface	IEC 60320 C14 male
Operating voltage	85 - 250 V AC; 47 - 63 Hz
Operating current	≤ 3 A
Control signal inputs	8 - 24 V DC
Control signal outputs	Potention-free relay contact or switches; V ≤ 60 V DC; I ≤ 30 A
Dimensions (H x W x D) mm	900 x 390 x 1420
Weight	≈ 97 kg
Environmental conditions *)	Max. altitude AMSL 1.600 ft (limited by power supply)



*) For limitations see „Environmental Conditions for Broadcast Products“.