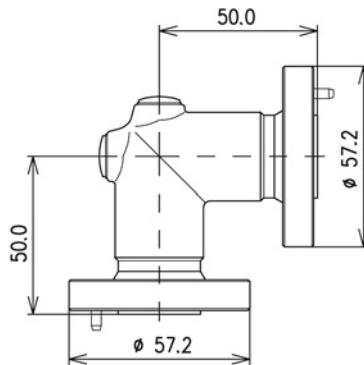
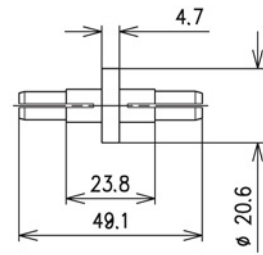


Rigid Line Components 7/8" EIA

- Very stable rigid line system
- Low insertion loss
- Low VSWR
- PTFE insulation
- Designed for pressure tight systems
- For outdoor application



90° Elbow
BN 837105



Coupling element
BN 911715

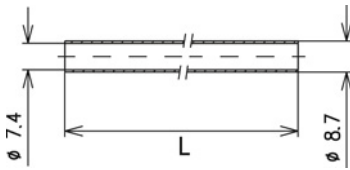
Components

	Length	Weight	Part Number
Inner conductor tube (copper)	L = 2 m L = 4 m	≈ 0.28 kg ≈ 0.57 kg	BN A02402 BN K20265C0004
Outer conductor tube (copper)	L = 2 m L = 4 m	≈ 1.35 kg ≈ 2.70 kg	BN A02403 BN K21751C0004
Rigid line (inner + outer conductor) with fixed flanges, custom-designed length Please define length in mm with your order. Spinner generates a part number extension for every specific length (V****).	0.075 m ≤ L ≤ 1 m 1 m < L ≤ 2 m 2 m < L ≤ 3 m		BN 874790V**** BN 874791V**** BN 874792V****
Inner support		≈ 0.01 kg	BN 542768
Fixed flange for brazing		≈ 0.17 kg	BN 006121
Coupling element incl. screw set		≈ 0.05 kg	BN 911715
90° Elbow		≈ 0.59 kg	BN 837105

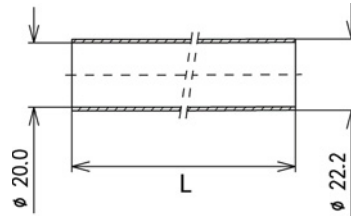
Electrical Data

Impedance		50 Ω
Cut off frequency for H11-Mode		6.3 GHz
Proof voltage at sea level (NN)		3.8 kV
Frequency range		0 ≤ f ≤ 5.3 GHz
Average power at +40 °C ambient temperature	100 MHz 230 MHz 860 MHz	≤ 7.6 kW ≤ 5.0 kW ≤ 2.6 kW
Attenuation at +20 °C ambient temperature (dB/100m)	100 MHz 230 MHz 860 MHz	1.21 1.84 3.55

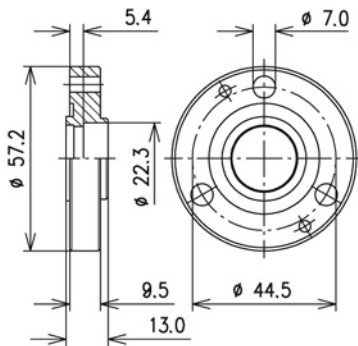
Rigid Line Components 7/8" EIA



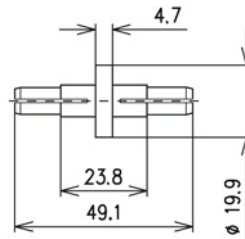
Inner conductor tube
BN A02402; BN K20265



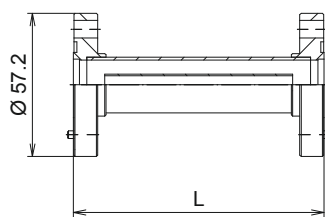
Outer conductor tube (not painted)
BN A02403; BN K21751



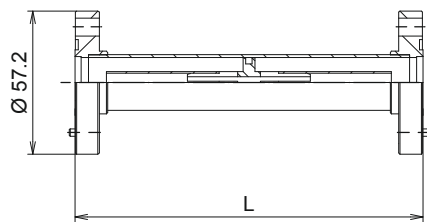
Fixed flange for brazing
BN 006121



Inner support
BN 542768

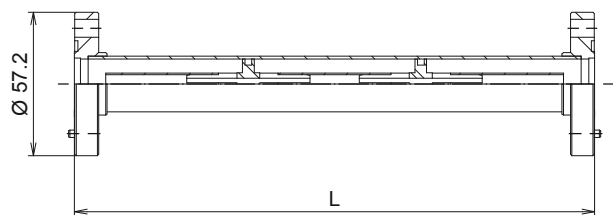


Rigid line
BN 874790V****



Rigid line
BN 874791V****

Length of rigid line L	Number inner supports required
1.0 m ≤ L ≤ 2.0 m	1
2.0 m < L ≤ 3.0 m	2
3.0 m < L ≤ 4.0 m	3



Rigid line
BN 874792V****