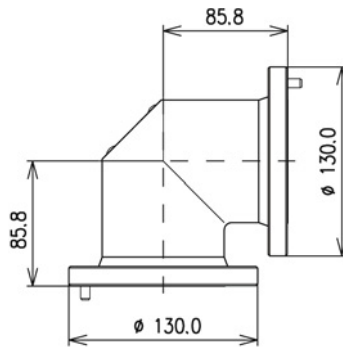
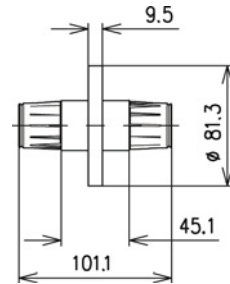


Rigid Line Components 3 1/8" EIA

- Very stable rigid line system
- Low insertion loss
- Low VSWR
- PTFE insulation
- Designed for pressure tight systems
- For outdoor application



90° Elbow
BN 921920



Coupling element
BN 918710

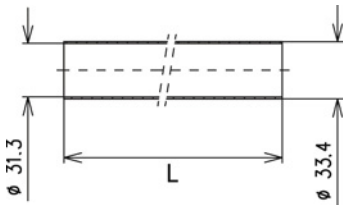
Components

	Length	Weight	Part Number
Inner conductor tube (copper)	L = 2 m L = 4 m	1.90 kg 3.80 kg	BN A02415 BN K22770C0004
Outer conductor tube (copper)	L = 2 m L = 4 m	5.90 kg 11.80 kg	BN A02416 BN K26569C0004
Rigid line (inner + outer conductor) with fixed flanges, custom-designed length Please define length in mm with your order. Spinner generates a part number extension for every specific length (V****).	0.92 m ≤ L ≤ 2 m 2 m < L ≤ 4 m		BN 870070V**** BN 870071V****
Inner support		0.27 kg	BN 870003
Fixed flange for brazing		0.75 kg	BN 004942
Coupling element incl. screw set		0.58 kg	BN 918710
90° Elbow		3.22 kg	BN 921920

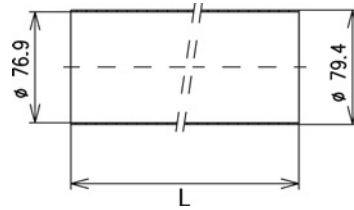
Electrical Data

Impedance		50 Ω
Cut off frequency for H11-Mode		1.6 GHz
Proof voltage at sea level (NN)		14.0 kV
Frequency range		0 ≤ f ≤ 1.3 GHz
Average power at +40 °C ambient temperature	100 MHz 230 MHz 860 MHz	≤ 67.0 kW ≤ 44.0 kW ≤ 23.0 kW
Attenuation at +20 °C ambient temperature (dB/100m)	100 MHz 230 MHz 860 MHz	0.32 0.48 0.92

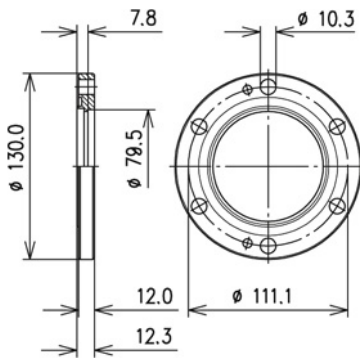
Rigid Line Components 3 1/8" EIA



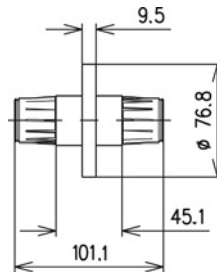
Inner conductor tube
BN A02415; BN K22770



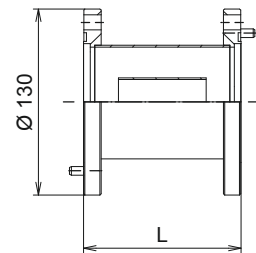
Outer conductor tube (not painted)
BN A02416; BN K26569



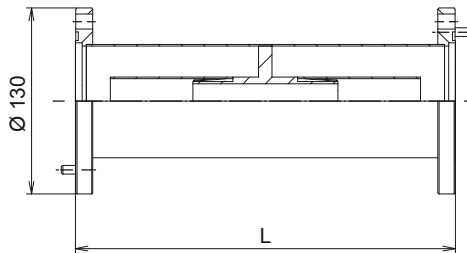
Fixed flange for brazing
BN 004942



Inner support
BN 870003



Rigid line
BN 870070V****



Rigid line
BN 870071V****

Length of rigid line L	Number inner supports required
2.0 m ≤ L ≤ 4.0 m	1

Rigid Lines & Cable Connectors