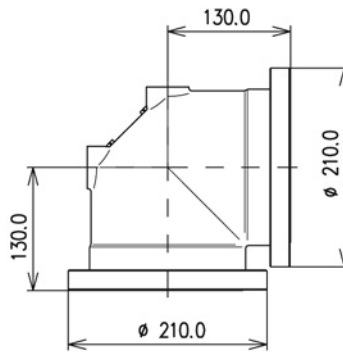
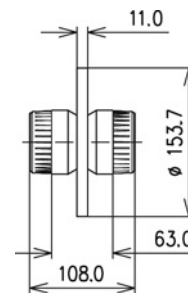


Rigid Line Components 6 1/8" EIA

- Very stable rigid line system
- Low insertion loss
- Low VSWR
- PTFE insulation
- Designed for pressure tight systems
- For outdoor application



90° Elbow
BN 873208



Coupling element
BN 919310

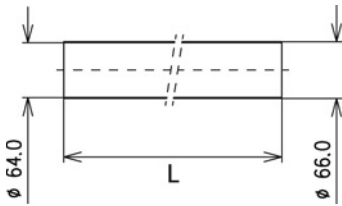
Components

	Length	Weight	Part Number
Inner conductor tube (copper)	L = 2 m L = 4 m	3.52 kg 7.04 kg	BN A02427 BN K23334C0004
Outer conductor tube (copper)	L = 2 m L = 4 m	15.81 kg 31.62 kg	BN A02428 BN K26568C0004
Rigid line (inner + outer conductor) with fixed flanges, custom-designed length Please define length in mm with your order. Spinner generates a part number extension for every specific length (V****).	0.15 m ≤ L ≤ 3 m 3 m < L ≤ 4 m		BN 873170V**** BN 873141V****
Inner support		2.45 kg	BN 532784
Fixed flange for brazing		1.75 kg	BN 008550
Coupling element incl. screw set		2.12 kg	BN 919310
90° Elbow		6.66 kg	BN 873208

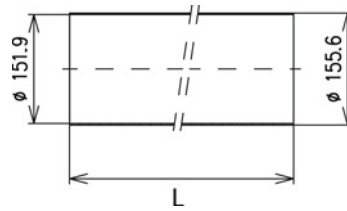
Electrical Data

Impedance		50 Ω
Cut off frequency for H11-Mode		830 MHz
Proof voltage at sea level (NN)		28.0 kV
Frequency range		0 ≤ f ≤ 800 MHz
Average power at +40 °C ambient temperature	100 MHz 230 MHz 800 MHz	≤ 224.0 kW ≤ 148.0 kW ≤ 78.0 kW
Attenuation at +20 °C ambient temperature (dB/100m)	100 MHz 230 MHz 800 MHz	0.16 0.24 0.46

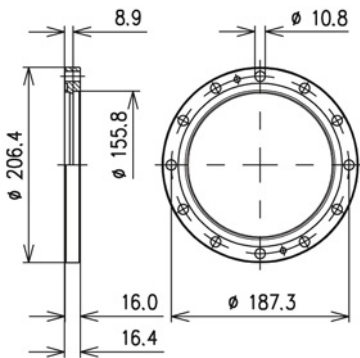
Rigid Line Components 6 1/8" EIA



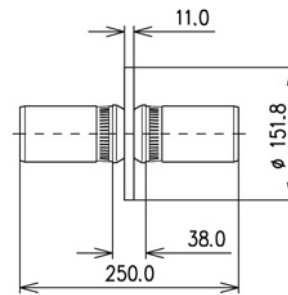
Inner conductor tube
BN A02427; BN K23334



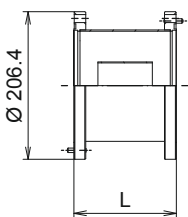
Outer conductor tube (not painted)
BN A02428; BN K26568



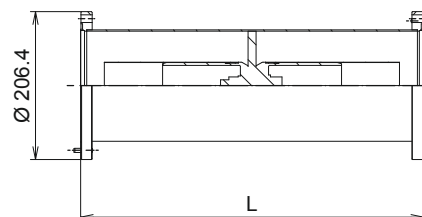
Fixed flange for brazing
BN 008550



Inner support
BN 532784



Rigid line
BN 873170V****



Rigid line
BN 873141V****

Length of rigid line L	Number inner supports required
3.0 m ≤ L ≤ 4.0 m	1