

Rigid Line Components 7/8" SMS

- Outer conductor system without contact ring in copper/ copper alloy
- Quick and simple assembly
- No special tools required
- PTFE insulation
- For indoor application

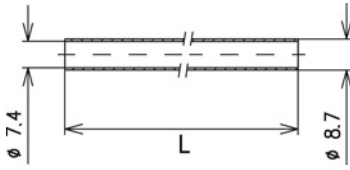
Components

	Length	Weight	Part Number
Inner conductor tube (copper)	L = 2 m L = 4 m	0.28 kg 0.57 kg	BN A02402 BN K20265C0004
Outer conductor tube (copper)	L = 2 m L = 4 m	1.35 kg 2.70 kg	BN A02403 BN K21751C0004
Inner support		0.01 kg	BN 542768
Adapter SMS clamp to 7/8" EIA		0.23 kg	BN 542767
Adapter SMS clamp to 7-16 female		0.15 kg	BN 542779
Coupling element for 7/8" EIA incl. screw set		0.05 kg	BN 911715
Rigid line splice		0.11 kg	BN 542769
90° Elbow		0.16 kg	BN 542762

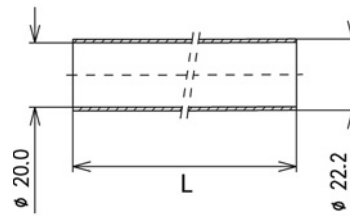
Electrical Data

Impedance		50 Ω
Cut off frequency for H11-Mode		6.3 GHz
Proof voltage at sea level (NN)		3.8 kV
Frequency range		0 ≤ f ≤ 5.3 GHz
Average power at +40 °C ambient temperature	100 MHz 230 MHz 800 MHz	≤ 7.6 kW ≤ 5.0 kW ≤ 2.6 kW
Attenuation at +20 °C ambient temperature (dB/100m)	100 MHz 230 MHz 800 MHz	1.21 1.84 3.55
Installation instruction		M 36123

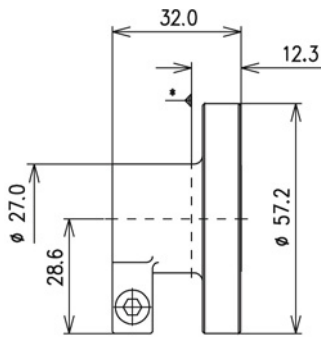
Rigid Line Components 7/8" SMS



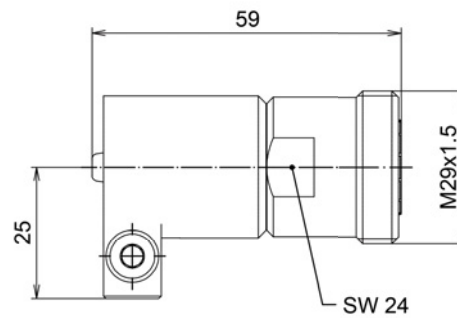
Inner conductor tube
BN A02402; BN K20265



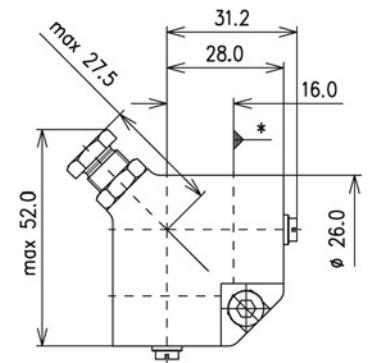
Outer conductor tube (not painted)#
BN A02403; BN K21751



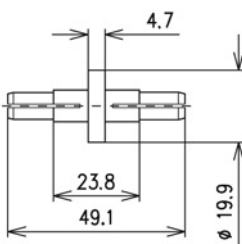
Adapter SMS clamp to 7/8" EIA
BN 542767



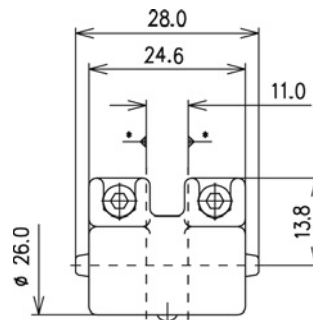
Adapter SMS clamp to 7-16 female
BN 542779



90° Elbow with adjustment screw
BN 542762



Inner support
BN 542768



Rigid line splice
BN 542769

Length of rigid line L	Number inner supports required
1.0 m ≤ L ≤ 2.0 m	1
2.0 m < L ≤ 3.0 m	2
3.0 m < L ≤ 4.0 m	3

* Reference plane