

Rigid Line Components 1 5/8" SMS-2

- Outer conductor system without contact ring, in copper/ copper alloy
- Quick and simple assembly
- No special tools required
- PTFE insulation
- For indoor application

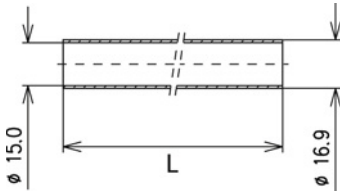
Components

	Length	Weight	Part Number
Inner conductor tube (copper)	L = 2 m L = 4 m	0.90 kg 1.80 kg	BN A02406 BN K19640C0004
Outer conductor tube (copper)	L = 2 m L = 4 m	2.80 kg 5.60 kg	BN A02407 BN K19608C0004
Inner support		0.04 kg	BN 859906
Adapter SMS-1 clamp to 1 5/8" EIA		0.21 kg	BN B13487C1000
Coupling element for 1 5/8" EIA incl. screw set		0.16 kg	BN 918311
Rigid line splice		0.46 kg	BN 542749
90° Elbow		0.66 kg	BN 542742

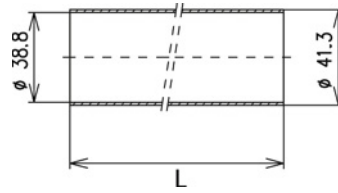
Electrical Data

Impedance		50 Ω
Cut off frequency for H11-Mode		3.2 GHz
Proof voltage at sea level (NN)		7.0 kV
Frequency range		$0 \leq f \leq 2.7$ GHz
Average power at +40 °C ambient temperature	100 MHz 230 MHz 860 MHz	≤ 20.0 kW ≤ 13.5 kW ≤ 7.0 kW
Attenuation at +20 °C ambient temperature (dB/100m)	100 MHz 230 MHz 860 MHz	0.63 0.95 1.83
Installation instruction		M 36129

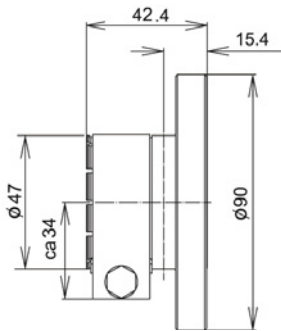
Rigid Line Components 1 5/8" SMS-2



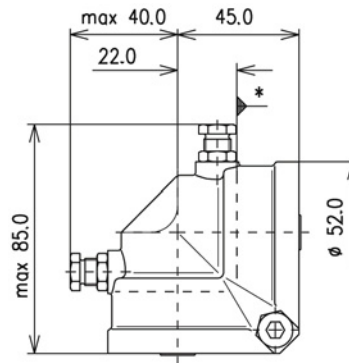
Inner conductor tube
BN A02406; BN K19640



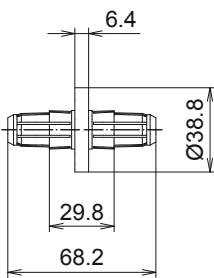
Outer conductor tube (not painted)
BN A02407; BN K19608



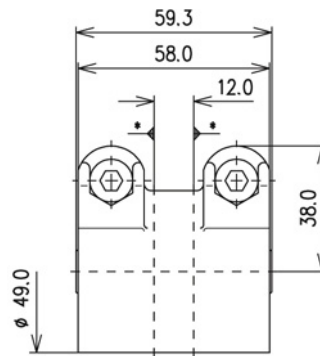
Adapter SMS-2 clamp to 1 5/8" EIA
BN B13487C1000



90° Elbow with adjustment screws
BN 542742



Inner support
BN 859906



Rigid line splice
BN 542749

Length of rigid line L	Number inner supports required
1.4 m ≤ L ≤ 2.8 m	1
2.8 m < L ≤ 4.0 m	2

* Reference plane