

Rigid Line Components 3 1/8" SMS

- Outer conductor system aluminium/aluminium alloy
- Quick and simple assembly
- No special tools required
- PTFE insulation
- For indoor application

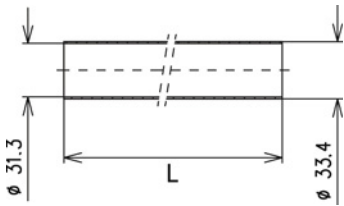
Components

	Length	Weight	Part Number
Inner conductor tube (copper)	L = 2 m L = 4 m	1.90 kg 3.80 kg	BN A02415 BN K22770C0004
Outer conductor tube (aluminium)	L = 2 m L = 4 m	1.70 kg 3.40 kg	BN A02417 BN K20202C0004
Inner support		0.27 kg	BN 870003
Adapter SMS clamp to 3 1/8" EIA		0.40 kg	BN B10865C1000
Coupling element for 3 1/8" EIA incl. screw set		0.58 kg	BN 918710
Rigid line splice		0.64 kg	BN 532721
90° Elbow		1.32 kg	BN 532723

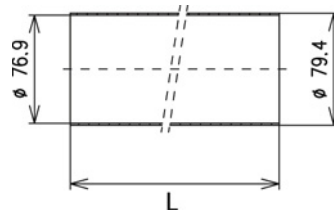
Electrical Data

Impedance		50 Ω
Cut off frequency for H11-Mode		1.6 GHz
Proof voltage at sea level (NN)		14.0 kV
Frequency range		$0 \leq f \leq 1.3$ GHz
Average power at +40 °C ambient temperature	100 MHz 230 MHz 860 MHz	≤ 63.0 kW ≤ 42.0 kW ≤ 22.0 kW
Attenuation at +20 °C ambient temperature (dB/100m)	100 MHz 230 MHz 860 MHz	0.37 0.56 1.08
Installation instruction		M 36125

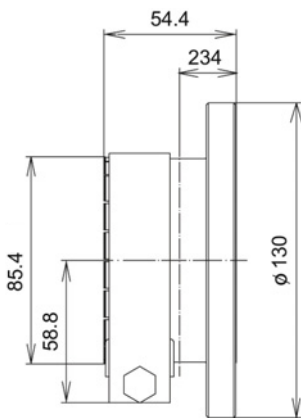
Rigid Line Components 3 1/8" SMS



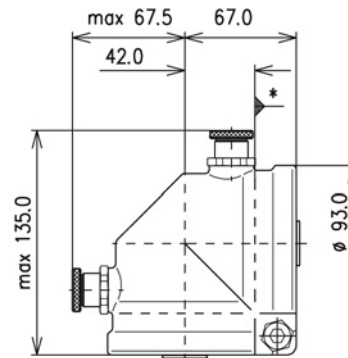
Inner conductor tube
BN A02415; BN K22770



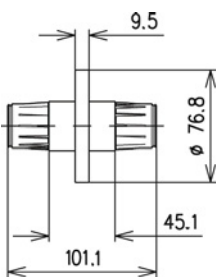
Outer conductor tube (not painted)
BN A02417; BN K20202



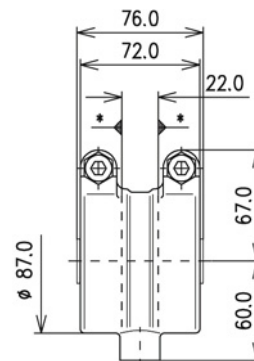
Adapter SMS clamp to 3 1/8" EIA
BN B10865C1000



90° Elbow with adjustment screws
BN 532723



Inner support
BN 870003



Rigid line splice
BN 532721

Length of rigid line L	Number inner supports required
2.0 m ≤ L ≤ 4.0 m	1

* Reference plane