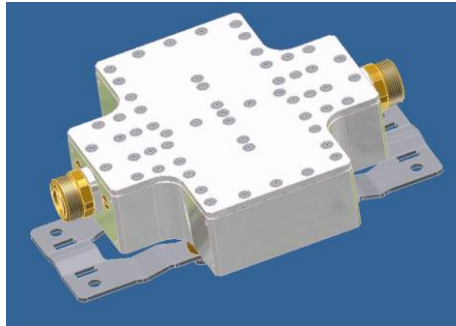
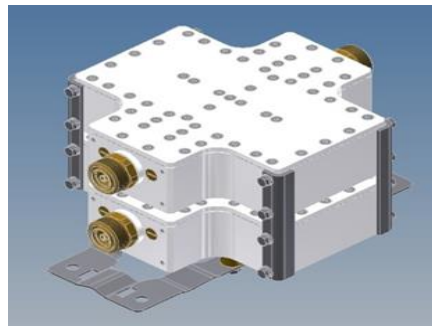


UL/DL Filter GSM1800/UMTS2100 4 Cavities



Single Unit



Double Unit



Block Diagram

Part number		BN 570571	BN 610013
Version		single	double
Connectors		7-16 socket (50 Ohms)	
Frequency range	GSM1800	1710 – 1785 MHz (Uplink) 1805 – 1880 MHz (Downlink)	
	UMTS 2100	1920 – 1980 MHz (Uplink) 2110 – 2170 MHz (Downlink)	
Tuning example Frequency range	Passband	1890 – 1900 MHz (Uplink) 1975 – 1985 MHz (Downlink)	
	Rejection band	1910 – 1920 MHz	
Factory tunable bandwidth range		10 - 20 MHz	
Out of Band Rejection	Pass band = Band gap	GSM1800 ≥ 30 dB	UMTS 2100 ≥ 15 dB
	Pass band = 2 x Band gap	≥ 25 dB	≥ 15 dB
	2 x Pass band = Band gap	≥ 35 dB	≥ 20 dB
Insertion loss	Pass band = Band gap	≤ 1.4 dB	≤ 1.4 dB
	Pass band = 2 x Band gap		
	2 x Pass band = Band gap		
VSWR		≤ 1.25	
Power rating		100 W (CW)	
Intermodulation products in RX band with 2 x 43dBm (20 W)		≤ -150 dBc typical: ≤ -160 dBc	
Degree of protection		IP 65	
Environmental conditions		ETSI EN 300019-1-1 Class 1.2 ETSI EN 300019-1-2 Class 2.3	

	ETSI EN 300019-1-3 Class 4.1E	
Wall / Mast mounting	BN 570571 to be ordered separately under B16603	BN 610013 part of delivery
Weight	3.0 kg	6.6 kg
Temperature range	-25 °C – +65 °C	

Measurements:

