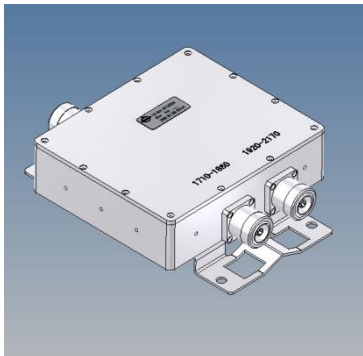
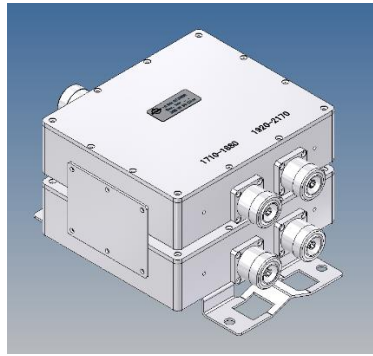


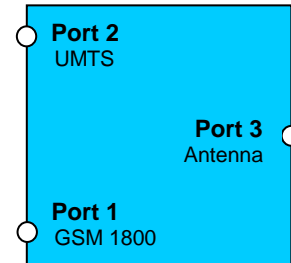
Diplexer GSM 1800 / UMTS



Single Unit



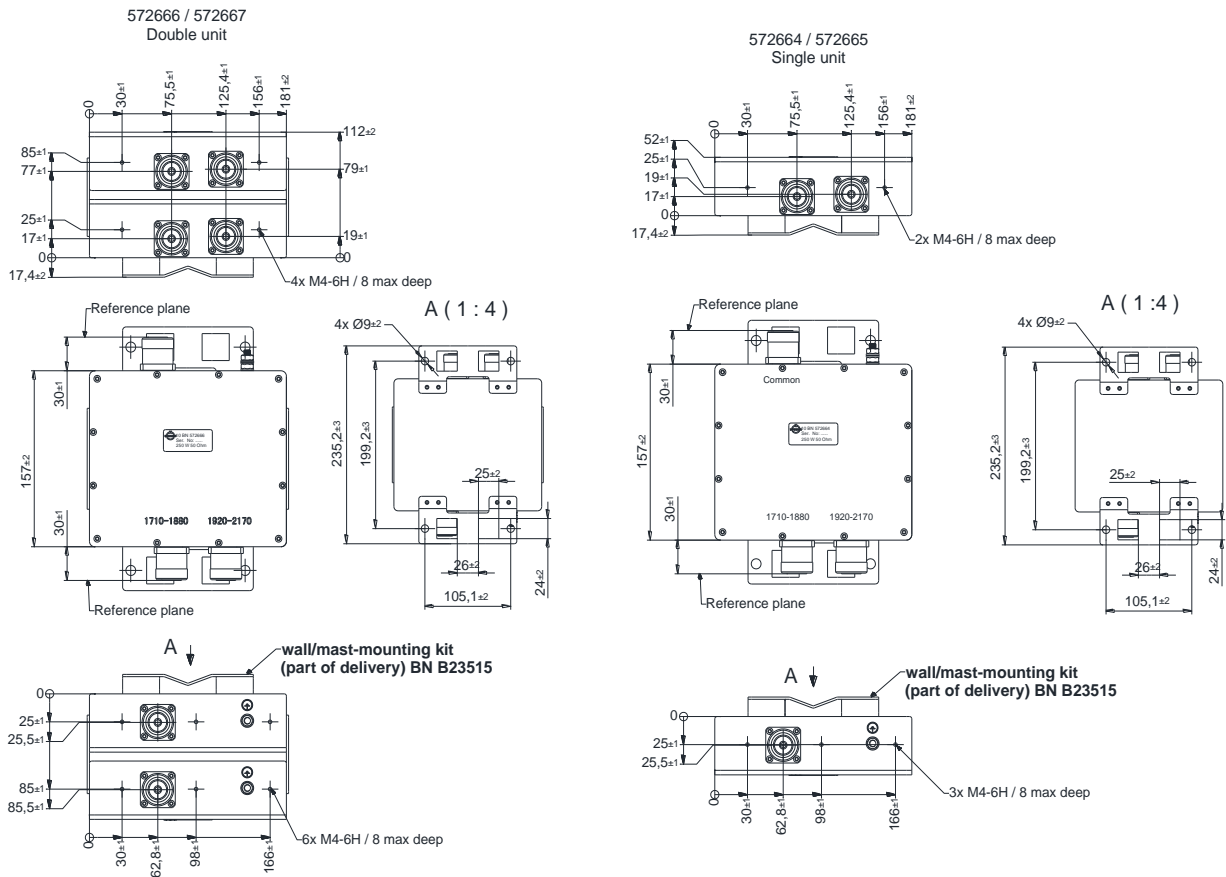
Double Unit



Block Diagram

Part number	BN 572664	BN572665	BN572666	BN 572667
Version	single		double	
Connectors	7-16 female (50 Ohms)			
Frequency range	Port 1	1710 - 1880 MHz (GSM1800)		
	Port 2	1920 – 2170 MHz (UMTS)		
Insertion loss	Port 1 → Port 3	≤ 0.35 dB		
	Port 2 → Port 3	≤ 0.45 dB		
Isolation	Port 1 ↔ Port 2	≥ 50 dB		
VSWR	≤ 1.22			
Power rating	≤ 250 W (CW) per port			
IM – value	≤ -155 dBc typical: ≤ -160 dBc			
3rd order @ 2 x 20W				
DC-by-pass	port2 → port3	to all ports	to all ports	port2 → port3
	(max. 3A per input max. 60V DC (AISG Standard, 2.0, § 6.4))			
Surge Protection	Port3	3 kA (10/350 μs)		
Degree of protection	IP 65			
Environmental conditions	ETSI EN 300019-1-1 Class 1.2 ETSI EN 300019-1-2 Class 2.3 ETSI EN 300019-1-4 Class 4.1E			
Weight	3.0 kg		6.0 kg	
Wall / Mast mounting	part of delivery			
Temperature range	-40 °C – +60 °C			

Dimensions:



Standard:

7-16 female (50 ohms): CECC 22190, IEC 61169-4

modifications reserved