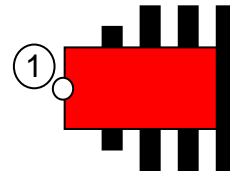


Coaxial Load 200W low IM



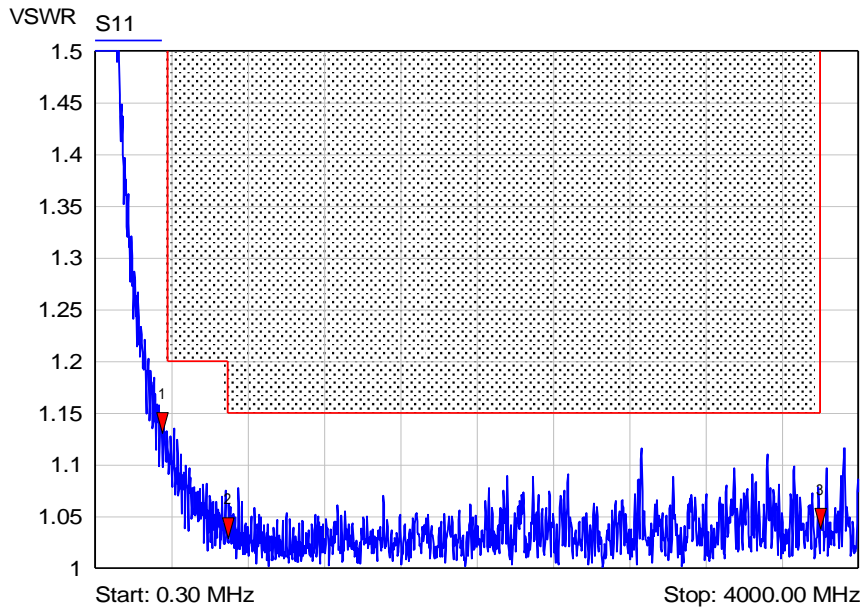
200W Load



Block diagram

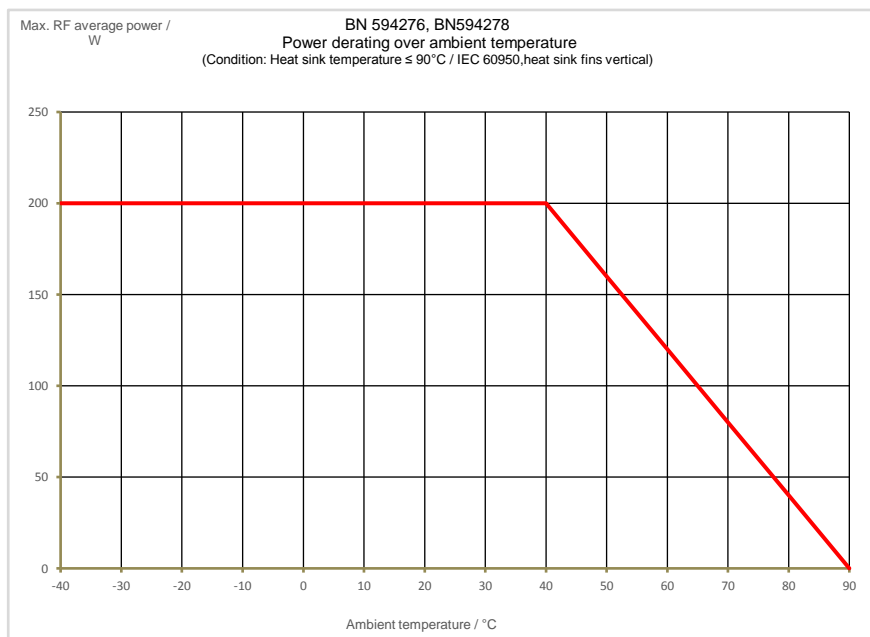
Part number	BN 594276	BN 594278
Connector	7-16 female (50 Ohms)	4.3-10 female (50 Ohms)
Frequency range	350 – 3800 MHz	
VSWR	≤ 1.2; typ. ≤ 1.15 @ 350 - 694MHz ≤ 1.15; typ. ≤ 1.10 @ 694 - 3800MHz	
Power rating	≤ 200 W	
IM – value 3rd order @ 2 x 20 W	≤ -160 dBc (typ. ≤ -165 dBc) @ 350 - 3000MHz	
Degree of protection: mated / 1bar, 1h, ≤18°C	IP 68	
Environmental conditions:	ETSI EN 300019-1-1 Class 1.2 ETSI EN 300019-1-2 Class 2.3 ETSI EN 300019-1-4 Class 4.1E	
Weight:	8.2 Kg	
Paint color	anodized	
Wall / Mast mounting	to be ordered separately under BN B20962	
Ambient temperature range	-40 ... +40 °C (full power rating) +40...+90 °C (limited power rating, see derating curve)	
Dimensions (w x h x d)	See drawing	

Measurements:



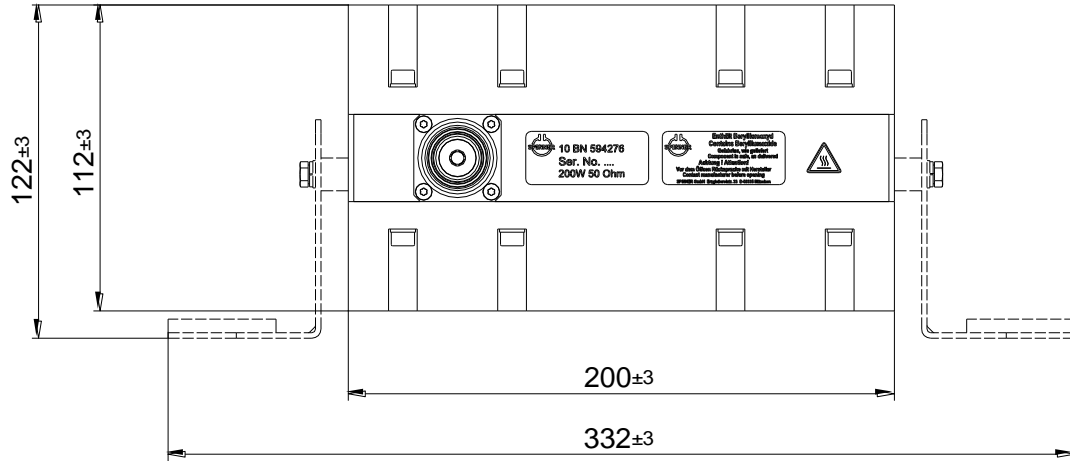
- 1 S11
▼ 350.00 MHz
1.13 VSWR
- 2 S11
▼ 694.00 MHz
1.03 VSWR
- 3 S11
▼ 3800.00 MHz
1.04 VSWR

Temperature derating diagram:

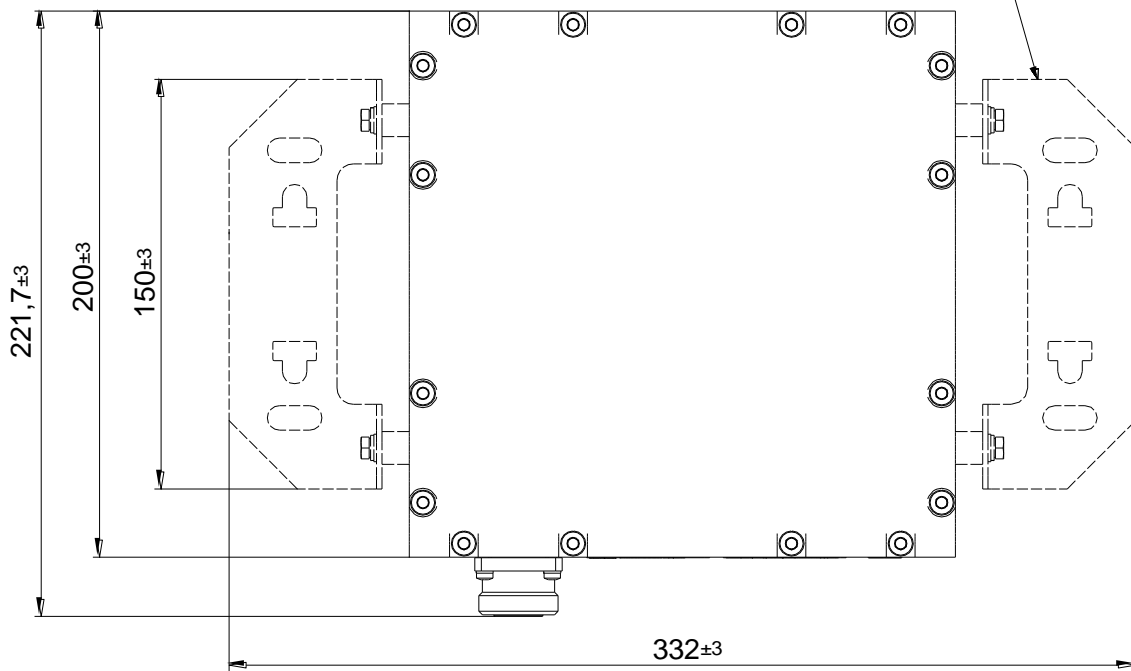


Dimensions with Wall / Mast mounting:

BN594276



wall/mast-mounting kit
(Option)BN B20962

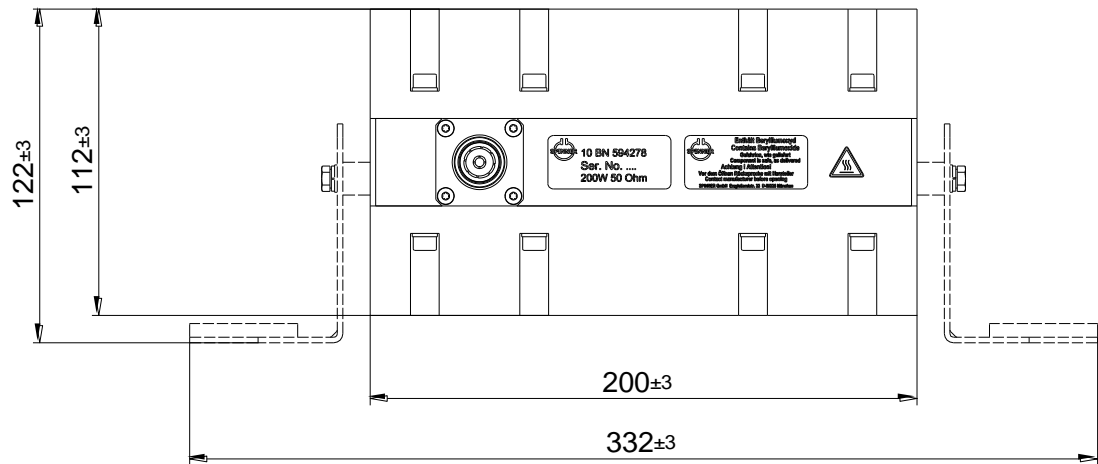


Standard:

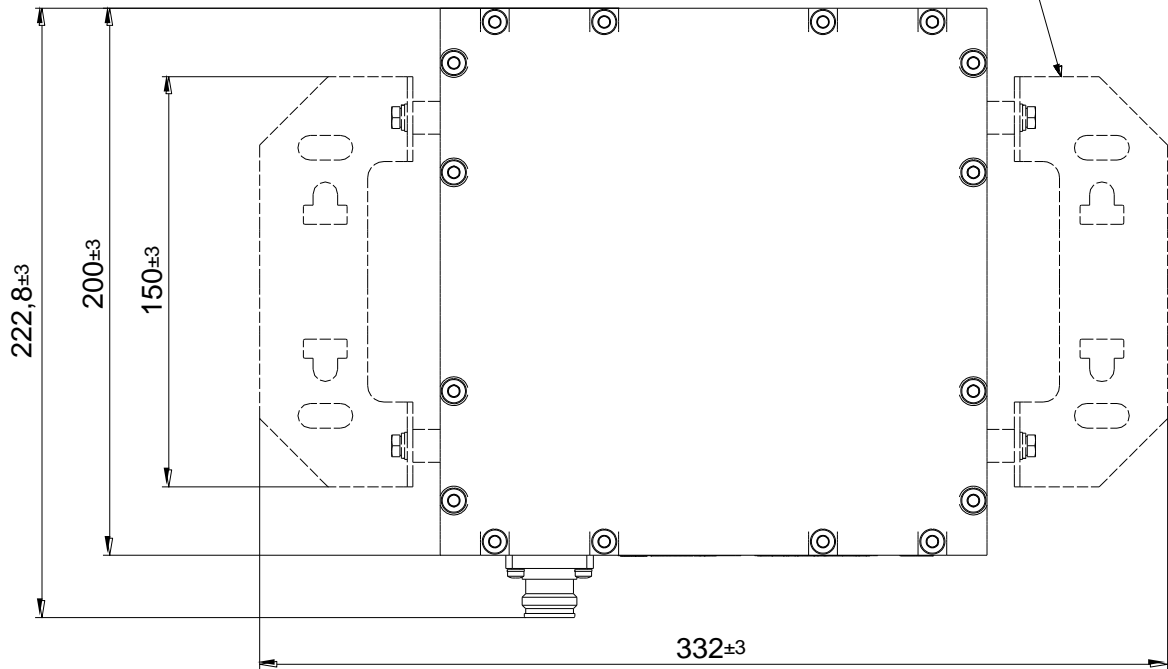
7-16 female (50 ohms): EN 122190, IEC 61169-4

modifications reserved

BN594278



**wall/mast-mounting kit
(Option)BN B20962**



Standard:

4.3-10 female (50 ohms): IEC 61169-54;

modifications reserved