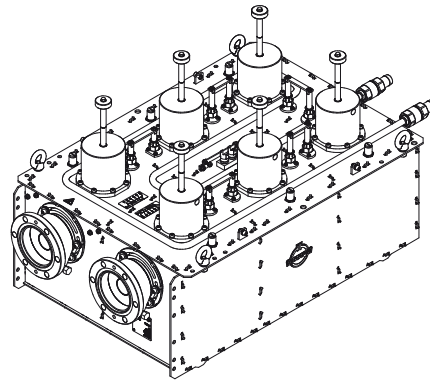
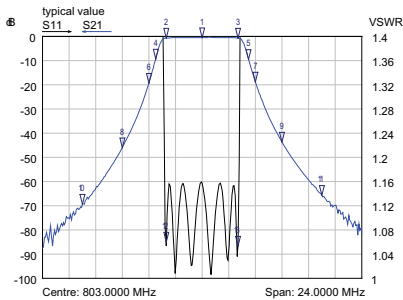


### 4.5 KW - 10 KW UHF DTV BANDPASS FILTER

- mask filter for ATSC
- for 6, 7 and 8 MHz channel bandwidth
- without cross coupling (notch function)
- tuneable within the whole UHF range
- temperature compensated
- installation horizontally or vertically
- DC block
- natural or liquid cooling



Bandpassfilter  
Bandpass Filters



Typical diagram AS6082

Part number / Connectors Cooling	BN 61 65 71 1 5/8" EIA male natural cooling	BN 61 65 70 3 1/8" EIA liquid cooling
Frequency range	470 - 810 MHz	
Number / Size of cavities	6 / 200	
Harmonics attenuation	≥ 50 dB for f ≤ 860 MHz	
Mask filtering	ATSC @ 6 MHz (Ü/Urms=11 dB)	
Average input power The input power of liquid cooled filters must be reduced if installed more than 500 m above sea level.	≤ 4.5 kW	≤ 10 kW @ 0 - 600 m ≤ 8 kW @ 2000 m ≤ 6 kW @ 3400 m
Tuning instruction	AS6082	
Insertion loss & Mask filtering (alternative tuning on request)	473 MHz    803 MHz f <sub>0</sub> ≤ 0.4 dB    ≤ 0.60 dB f <sub>0</sub> ± 2.69    ≤ 0.6 dB    ≤ 0.80 dB f <sub>0</sub> ± 3.00    ≤ 1.5 dB    ≤ 1.75 dB f <sub>0</sub> ± 4.00        ≥ 15 dB f <sub>0</sub> ± 6.00        ≥ 40 dB f <sub>0</sub> ± 9.00        ≥ 65 dB	
VSWR (pass band range)	≤ 1.17	
Group delay variation	Δτ ≤ 200 ns	
Temperature stability	≤ 2 kHz / K	
Dimensions (L x W x H) mm	702 x 450 x 450	772 x 450 x 450
Weight	ca. 48 kg	ca. 48 kg
Coolant / Flow rate	–	mix: glycol and water BN 15 45 67 / ≥ 3 l/min
Temperature of the coolant	–	20 °C - 60 °C
Cooling interface	–	for hose with inner width 3/4"
Material of cooling	–	stainless steel pipe
Environmental conditions	for limitations see „Environmental Conditions for Broadcast Products“	